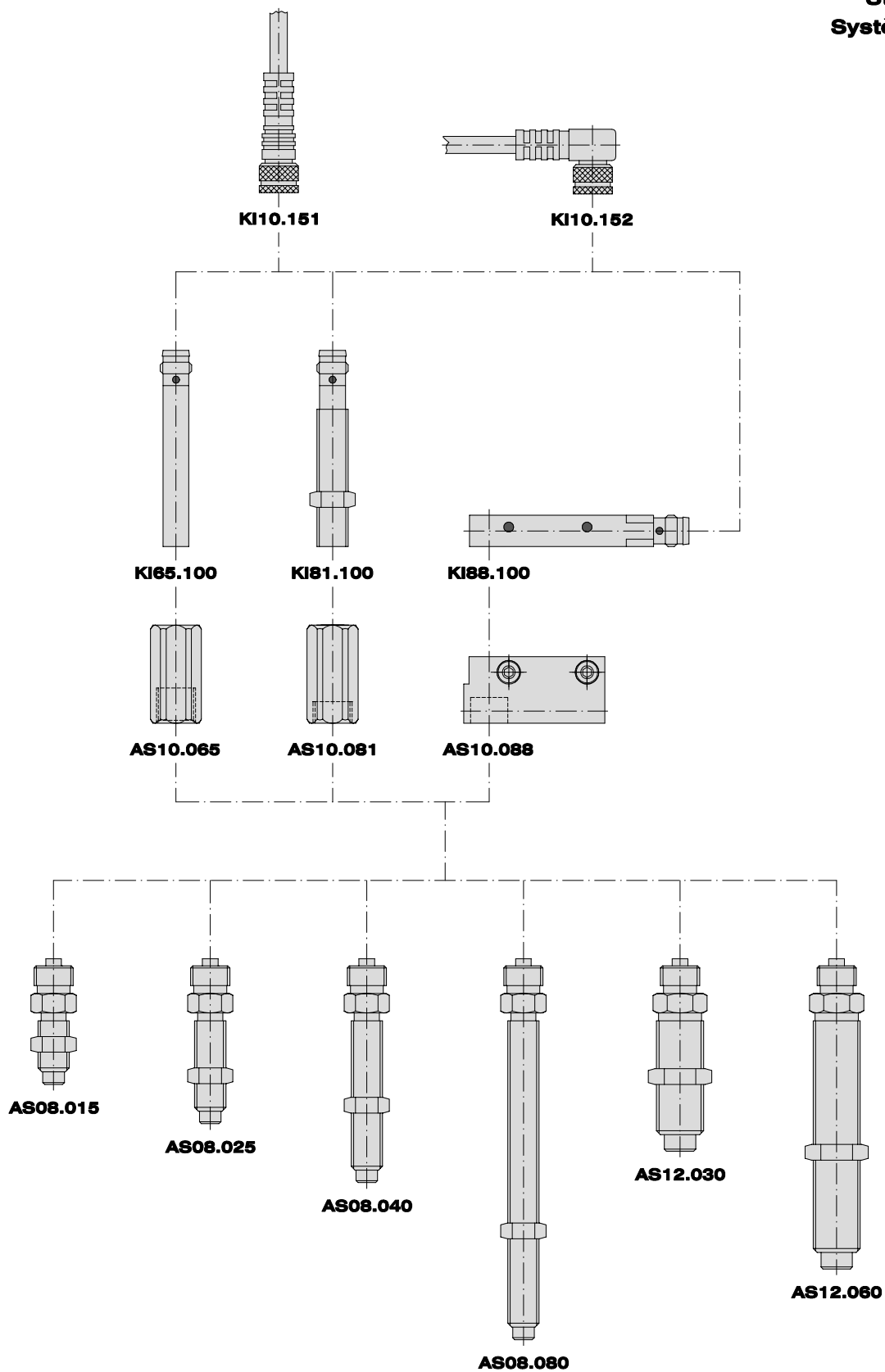


Anschlagsystem

Stop system
Système d'arrêt

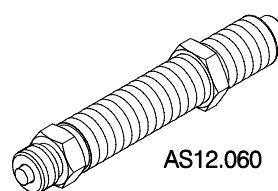
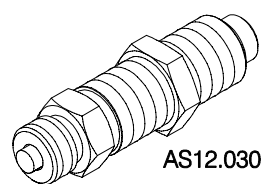
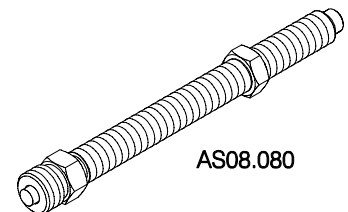
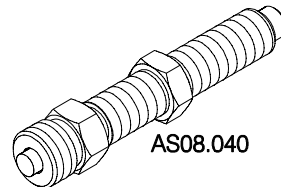
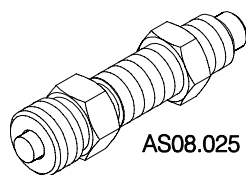
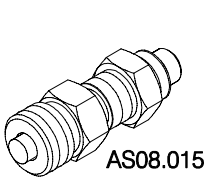
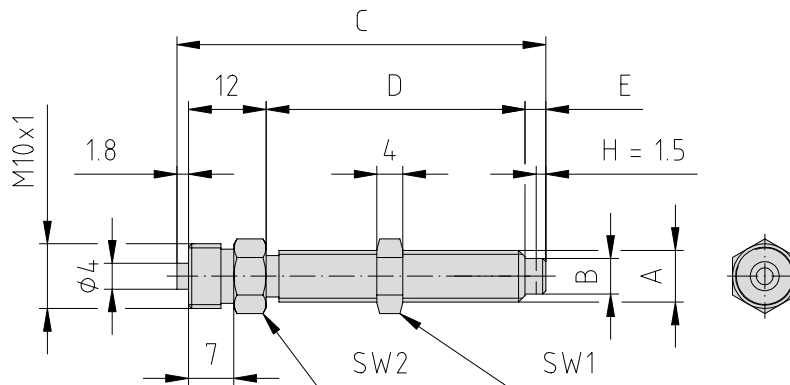


Zubehör

Accessories

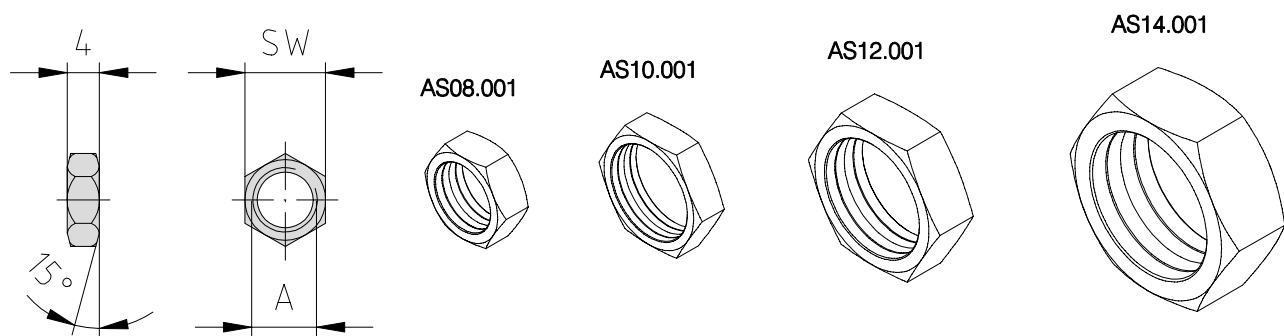
Accessoires

| Anschlagschraube Adjusting stop screw Vis d'arrêt | AS08 | | | | AS12 | |
|---|----------|----------|----------|----------|----------|----------|
| | AS08.015 | AS08.025 | AS08.040 | AS08.080 | AS12.030 | AS12.060 |
| Bestellnummer Order No., Article No. | AS08.015 | AS08.025 | AS08.040 | AS08.080 | AS12.030 | AS12.060 |
| Maß A Dimension A, Dimension A | M8x1 | M8x1 | M8x1 | M8x1 | M12x1 | M12x1 |
| Maß B Dimension B, Dimension B | Ø 5,5 mm | Ø 5,5 mm | Ø 5,5 mm | Ø 5,5 mm | Ø 8 mm | Ø 8 mm |
| Maß C Dimension C, Dimension C | 32 mm | 42 mm | 57 mm | 97 mm | 49 mm | 79 mm |
| Maß D Dimension D, Dimension D | 15 mm | 25 mm | 40 mm | 80 mm | 30 mm | 60 mm |
| Maß E Dimension E, Dimension E | 3.2 mm | 3.2 mm | 3.2 mm | 3.2 mm | 4.2 mm | 4.2 mm |
| SW1 | 10 | 10 | 10 | 10 | 12 | 12 |
| SW2 | 10 | 10 | 10 | 10 | 14 | 14 |
| Masse Weight, Poids | 0,01 kg | 0,015 kg | 0,02 kg | 0,032 kg | 0,035 kg | 0,055 kg |

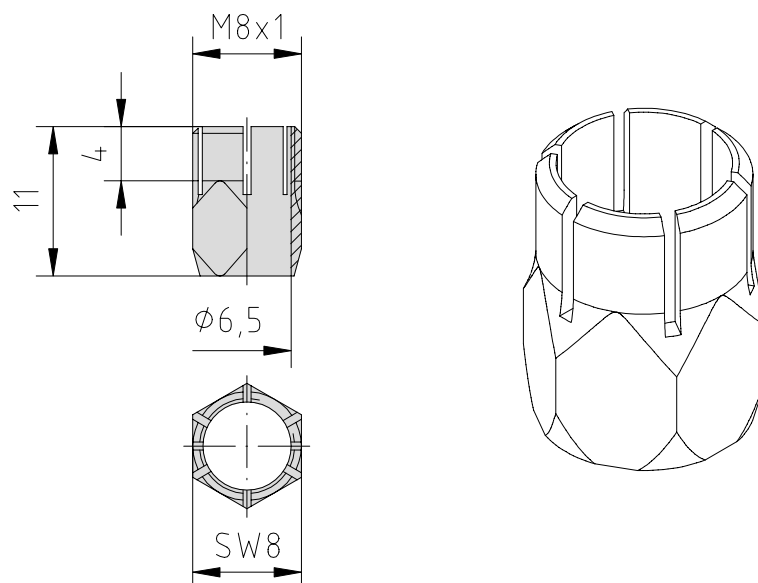


Zubehör
Accessories
Accessoires

| | | | | |
|---|-----------|-----------|-----------|-----------|
| Sechskant Mutter Hexagonal nut Ecrou six pans | AS08 | AS10 | AS12 | AS14 |
| Bestellnummer Order No., Article No. | AS08.001 | AS10.001 | AS12.001 | AS14.001 |
| Maß A Dimension A, Dimension A | M8x1 | M10x1 | M12x1 | M14x1 |
| SW | 10 | 12 | 14 | 16 |
| Masse Weight, Poids | 0,0012 kg | 0,0015 kg | 0,0019 kg | 0,0022 kg |



| | |
|--|-----------|
| Spannhülse Clamp bushing Douille de serrer | IH M8x1 |
| Bestellnummer Order No., Article No. | AS10.165 |
| Masse Weight, Poids | 0,0013 kg |

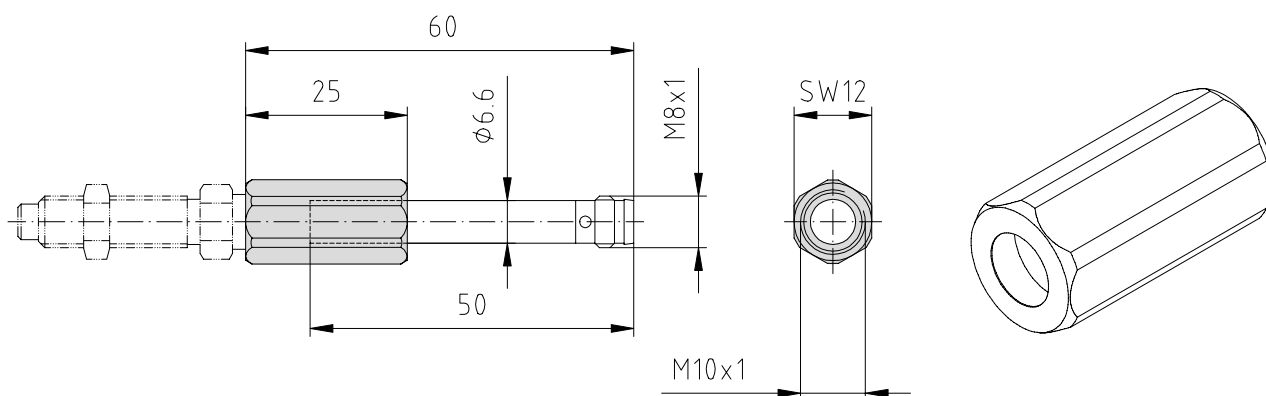


Zubehör

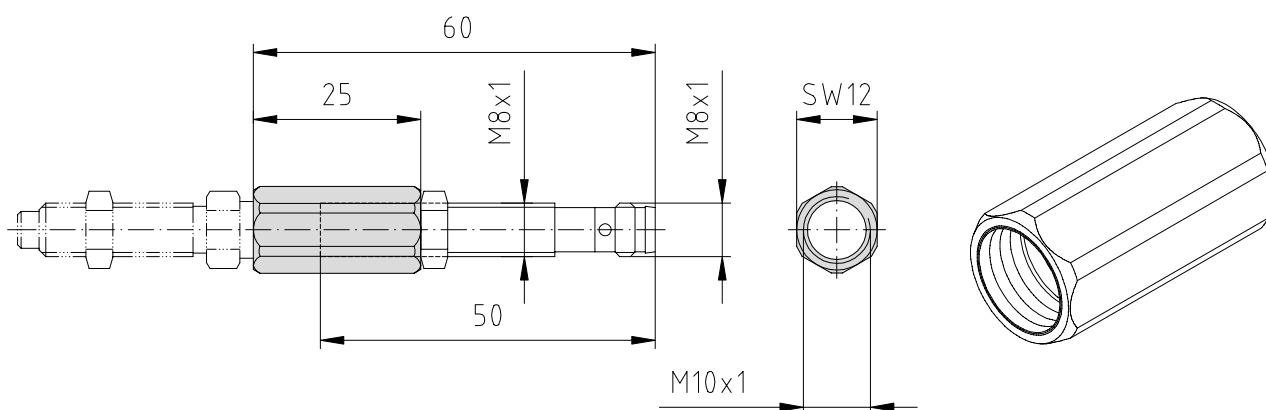
Accessories

Accessoires

| | |
|---|----------|
| Initiatorhalter Proximity switch holder Serrage d'interrupteurs | IH Ø 6,5 |
| Bestellnummer Order No., Article No. | AS10.065 |
| Masse Weight, Poids | 0,011 kg |

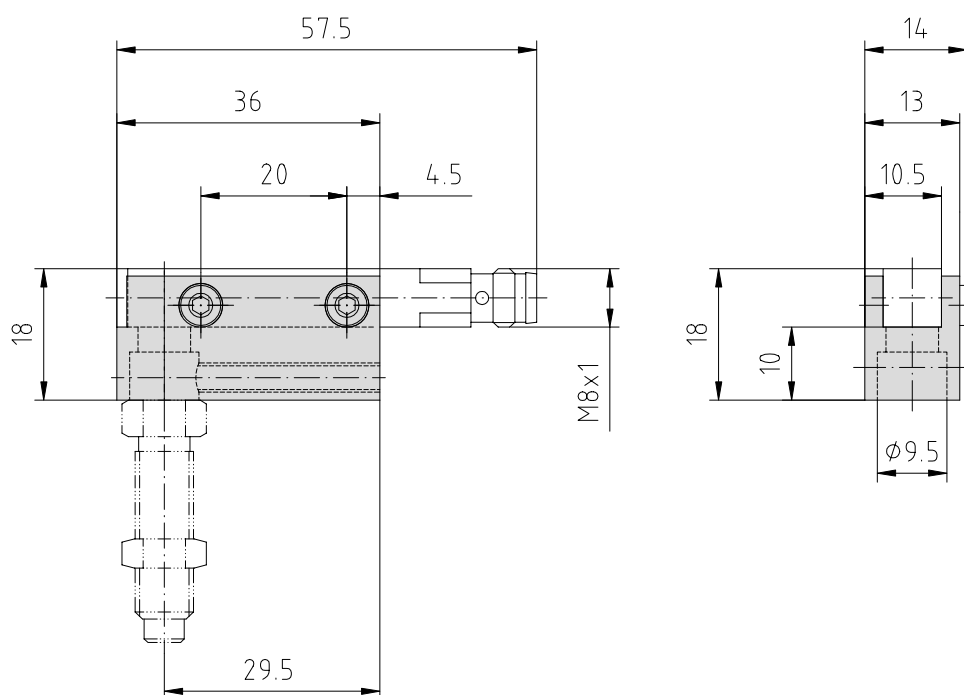


| | |
|---|----------|
| Initiatorhalter Proximity switch holder Serrage d'interrupteurs | IH M8x1 |
| Bestellnummer Order No., Article No. | AS10.081 |
| Masse Weight, Poids | 0,005 kg |



Zubehör
Accessories
Accessoires

| | |
|---|----------|
| Initiatorhalter Proximity switch holder Serrage d'interrupteurs | IH Ø 8x8 |
| Bestellnummer Order No., Article No. | AS10.088 |
| Masse Weight, Poids | 0,014 kg |

**Lieferumfang:**

2 Schrauben M3x12

Items supplied:

2 Screws M3x12

Matériel livré:

2 Vis M3x12

